

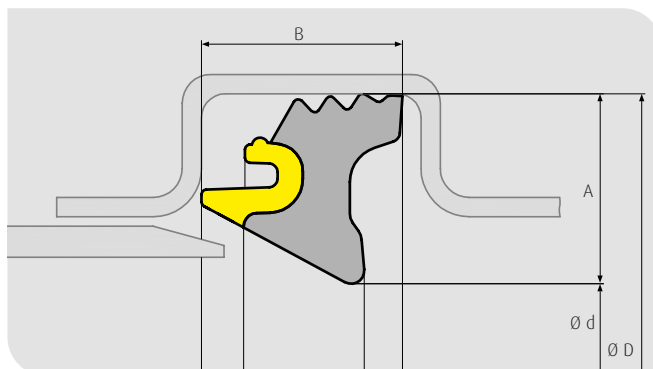
M|O|L
get flexibility



© Seals for plastic pipes

System 2K-PRO

Lip-Seal-Ring | Ø 110 - 500 mm



Product description:

The lip seal System 2K PRO is developed for plastic pipes and fittings made of PP and PVC in compliance with EN 1451-1 and EN 1401-1 and meets the requirements of EN 681-2 WT/WH. The socket dimensions recommended by M.O.L. apply as well as for other pipe systems.

The advantages:

- fixed lip seal
- perfect sealing effect even under pressure up to 2.5 bar
- the 2K PRO lip seal can be fitted both by hand and with automatic ring inserters
- a long-term experience and monitored quality systems (including DIN ISO 9001:2015) guarantee the highest possible safety and reliability
- External monitoring by MPA-NRW/KIWA
- TPE-V acc. EN 681-2 WT/WH

Article No.	DIAM	Ø D	Ø d	A	B
20420	110	122,2 ± 0,4	106,2	8,0 ± 0,2	8,3 ± 0,4
20421	125	139,3 ± 0,4	120,7	9,3 ± 0,2	9,6 ± 0,4
20422	160	176,2 ± 0,4	154,8	10,7 ± 0,2	11,3 ± 0,4
20423	200	218,0 ± 0,6	193,0	12,5 ± 0,2	12,5 ± 0,4
20424	250	275,3 ± 1,0	240,5	17,4 ± 0,4	19,0 ± 0,4
20425	315	343,2 ± 1,2	304,8	19,2 ± 0,4	19,8 ± 0,8
20426	400	431,9 ± 1,2	389,3	21,3 ± 0,6	22,5 ± 0,9
20427	500	538,4 ± 2,4	487,8	25,3 ± 0,7	27,5 ± 0,9



Subject to technical modifications. With regard to the material properties given in the tables and diagrams we only guarantee the figures required by the relevant standards. Our product information is supplied to the best of our knowledge. However, we do not accept any legal liability for the contents. Our General Terms and Conditions of Sale are available online at www.mol-elastomer.de.