

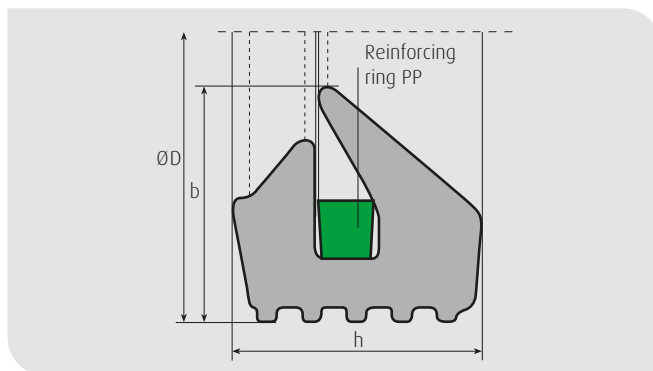
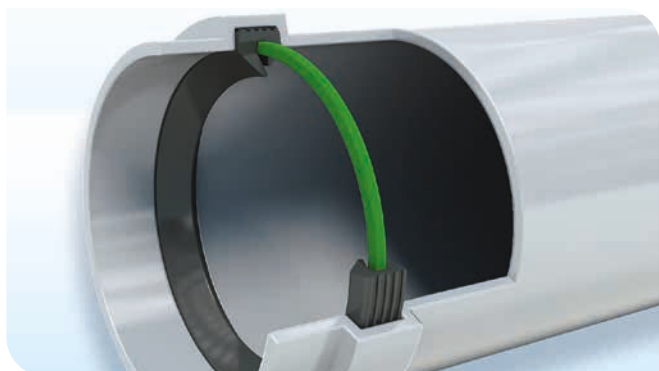
MOL

get flexibility



System EL

Lip-Seal-Ring | Ø 110 - 630 mm



Product description:

The SYSTEM EL lip seal ring with reinforcing ring (PP) is developed for pipes and fittings made of PVC/PP (DIN 19534, EN 1401-1, EN 1852). SYSTEM EL seals fit firmly into the socket due to the reinforcing ring. The favourable ring geometry combined with a soft rubber quality (40 ± 5 IRHD) results in lower connecting forces and excellent tightness. SYSTEM EL seals are also suitable as a fixed seal in other pipe systems, for example cable protection pipes etc. (socket dimensions as recommended by M.O.L.) M.O.L. SYSTEM EL seals meet the requirements of DIN EN 681-1 WC. The quality is regularly monitored by: MPA NRW Dortmund, KIWA KOMO.

The advantages:

- Lip seal ring with reinforcing ring (PP)
- Integral seal with firm fit of the sealing ring in the socket
- Excellent connecting properties, the connection forces are very low, even non-chamfered pipes can be connected easily
- The leak tightness required by EN 1277 under positive and negative pressure is exceeded by far
- The seal is not pushed out when the pipes are laid
- The outstanding elasticity of the rubber seal ensures a durable sealing effect
- External monitoring by the MPA-NRW/KIWA KOMO

| Article No. | DN | DIAM | Ø D | b | h |
|-------------|-----|------|-------------|------------|------------|
| 60150 | 100 | 110 | 123,2 ± 0,7 | 8,5 ± 0,2 | 9,1 ± 0,2 |
| 60152 | 125 | 125 | 140,2 ± 0,8 | 9,5 ± 0,2 | 10,3 ± 0,3 |
| 60154 | 150 | 160 | 177,2 ± 0,8 | 10,4 ± 0,3 | 11,5 ± 0,3 |
| 60156 | 200 | 200 | 218,0 ± 1,0 | 12,5 ± 0,3 | 13,1 ± 0,3 |
| 60158 | 250 | 250 | 277,0 ± 2,0 | 18,0 ± 0,6 | 21,0 ± 0,6 |
| 60160 | 300 | 315 | 343,0 ± 2,0 | 19,6 ± 0,6 | 22,5 ± 0,6 |
| 60162 | 400 | 400 | 434,1 ± 3,0 | 22,5 ± 0,8 | 26,0 ± 0,8 |
| 60164 | 500 | 500 | 541,3 ± 3,5 | 27,4 ± 1,0 | 34,6 ± 1,0 |
| 60166 | 600 | 630 | 679,6 ± 4,0 | 32,8 ± 1,2 | 41,0 ± 1,2 |



Subject to technical modifications. With regard to the material properties given in the tables and diagrams we only guarantee the figures required by the relevant standards. Our product information is supplied to the best of our knowledge. However, we do not accept any legal liability for the contents. Our General Terms and Conditions of Sale are available online at www.mol-elastomer.de.