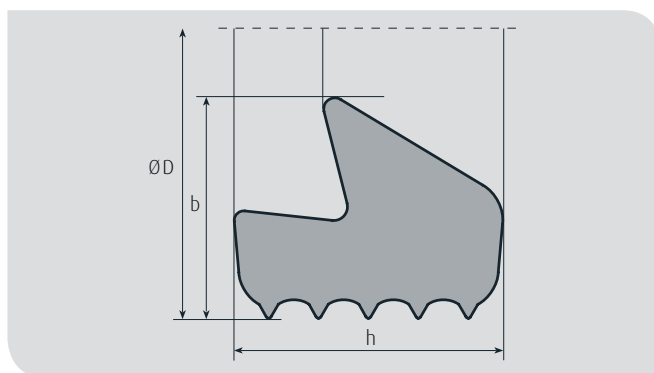
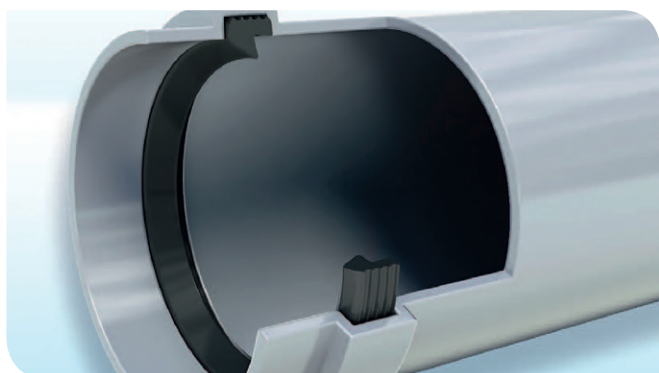


M|O|L
get flexibility



System BL

Lip-Seal-Ring | Ø 25 - 500 mm



Product description:

The SYSTEM BL lip seal ring is developed for plastic pipes and fittings made of PP and PVC in compliance with EN 1451-1 and EN 1401-1 and meets the requirements of EN 681-1 WC. The socket dimensions recommended by M.O.L. apply as well as for other pipe systems. The SYSTEM BL seal is mainly used for sewage pipes but is also suitable for use in building systems (high-temperature resistance drainage pipes). Special dimensions, also for non-standardised applications, are available on request.

The advantages:

The outstanding long-term elasticity of the rubber seal ensures a durable sealing effect

- Use of the latest technologies guarantees an optimum cost-benefit ratio
- The seal can be fitted both by hand and with automatic ring inserters
- A long-term experience and monitored quality systems (including DIN ISO 9001:2008) guarantee the highest possible safety and reliability
- Good connecting properties
- External monitoring by the MPA-NRW/KIWA KOMO

Article No.	DN	DIAM	Ø D	b	h
599	25	25	33,0 +/-0,4	4,95 ± 0,3	6,0 ± 0,3
104	32	32	39,6 ± 0,5	4,9 ± 0,2	6,1 ± 0,2
580	40	40	51,3 ± 0,5	6,8 ± 0,3	7,8 ± 0,3
581	50	50	61,6 ± 0,5	6,8 ± 0,3	7,8 ± 0,3
569	50B	50	61,6 ± 0,5	7,0 ± 0,3	8,4 ± 0,3
603	58	58	68,7 ± 0,5	6,9 ± 0,3	9,0 ± 0,3
597		63	74,2 ± 0,6	6,8 ± 0,3	7,8 ± 0,3
582	70	75	87,1 ± 0,6	6,8 ± 0,3	7,8 ± 0,3
596	70B	75	87,1 ± 0,6	7,0 ± 0,3	8,4 ± 0,3
578		90	102,8 ± 0,7	7,5 ± 0,3	8,2 ± 0,3
579		100	113,8 ± 0,7	7,9 ± 0,3	8,9 ± 0,3
583	100	110	124,1 ± 0,7	7,9 ± 0,3	9,1 ± 0,3
595	100B	110	123,8 ± 0,7	8,1 ± 0,3	10,6 ± 0,3
592		100 SSR	123,8 ± 0,7	7,9 ± 0,3	10,9 ± 0,3
584	125	125	142,0 ± 0,8	9,1 ± 0,3	10,4 ± 0,3
575	125B	125	141,8 ± 0,8	9,5 ± 0,3	12,1 ± 0,3
577	140B	140	163,0 ± 0,8	11,5 ± 0,4	15,5 ± 0,4
585	150	160	179,6 ± 0,8	10,2 ± 0,3	11,7 ± 0,3
576	150B	160	179,6 ± 0,8	11,0 ± 0,3	13,5 ± 0,3
586	200	200	224,0 ± 1,0	11,4 ± 0,3	13,0 ± 0,3
593		9 inch	268,5 ± 1,8	13,4 ± 0,4	16,3 ± 0,3
594	250S	250	273,5 ± 1,8	13,4 ± 0,4	16,3 ± 0,4
587	250	250	282,0 ± 2,0	16,0 ± 0,4	19,5 ± 0,5
598	300S	315	344,0 ± 2,0	15,0 ± 0,4	18,5 ± 0,5
588	300	315	350,1 ± 2,5	17,0 ± 0,4	20,5 ± 0,5
602	350	355	393,7 ± 2,6	18,9 ± 0,5	23,7 ± 0,5
589	400	400	441,2 ± 3,0	19,0 ± 0,5	24,0 ± 0,5
590	500	500	550,6 ± 3,0	24,6 ± 0,5	30,0 ± 0,5



Subject to technical modifications. With regard to the material properties given in the tables and diagrams we only guarantee the figures required by the relevant standards. Our product information is supplied to the best of our knowledge. However, we do not accept any legal liability for the contents. Our General Terms and Conditions of Sale are available online at www.mol-elastomer.de.