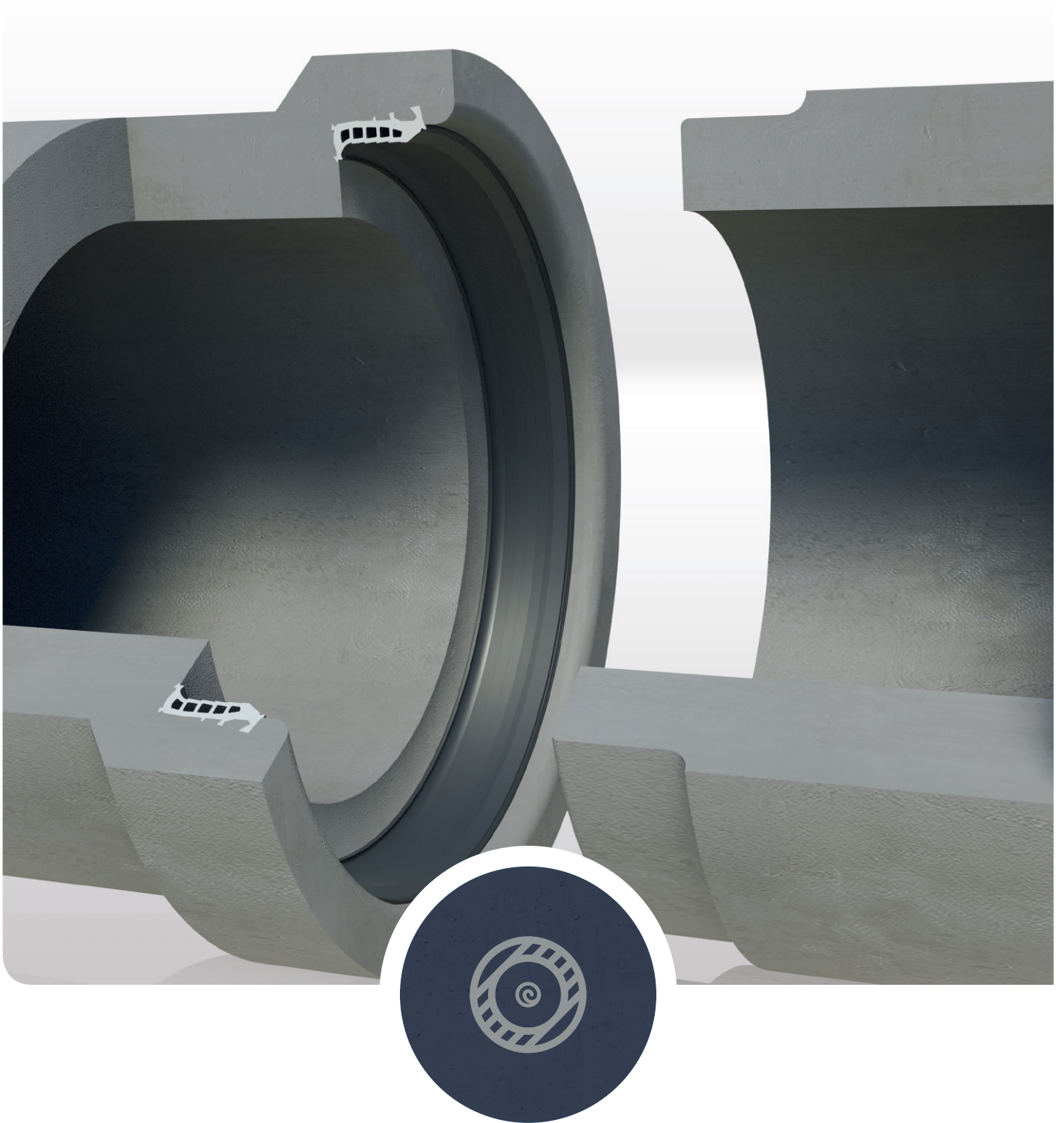


**M|O|L**  
get flexibility

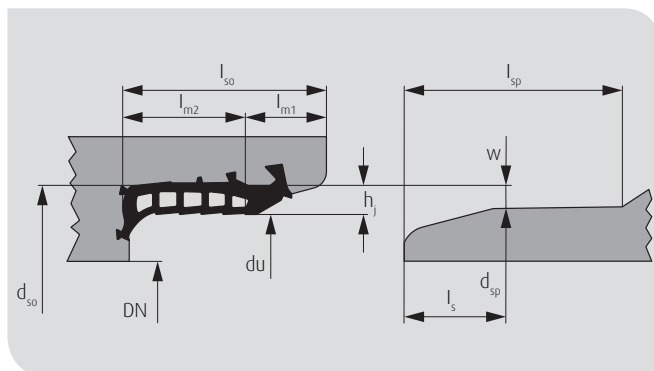
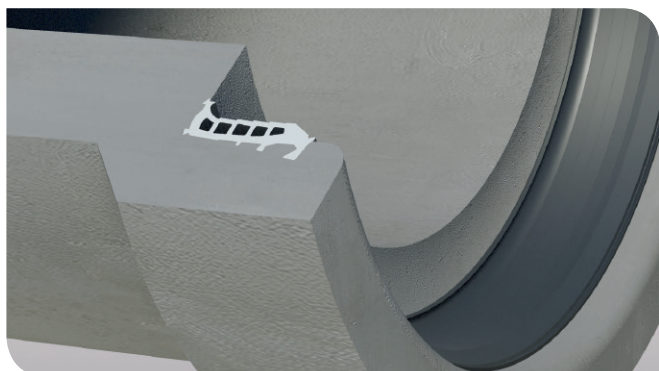


Seals for concrete pipes

# INTEGRA **VL**

for concrete pipes | Ø 300 - 1500 mm

Reliable connection guaranteed in compliance with DIN EN 1916  
Meets the requirements of DIN EN 681-1 and FBS quality guideline QR 4060



The M.O.L. INTEGRA VL concrete pipe seal is integrated into the socket and guarantees a firm, reliable connection between concrete pipes and reinforced concrete pipes in compliance with DIN EN 1916. In addition the INTEGRA VL seal meets the requirements of EN 681-1 and the FBS quality guideline QR 4060®

**Material:** The seal is made of SBR (styrene-butadiene rubber) which is ideal for use in sewage systems and complies with the requirements of the DIN EN 681-1 WC 50 standard (Hardness 50 ± 5 IRHD). **Our INTEGRA VL seal is tested and inspected for quality by MPA NRW (Dortmund) and KIWA Netherlands.**

**Pipe manufacture:** Fit the INTEGRA VL seal onto the cleaned base ring. The base ring should be lightly lubricated. Fill the socket with concrete and then start sealing. Subsequently cast the concrete pipe in the customary manner. After removing the pipe from the form, place the outer and inner support ring onto the spigot and remove from the form with the base ring when the concrete has set. When the concrete has fully set, the spigot and socket pipe with the INTEGRA VL seal is ready for use.

**Note for pipe installation:** Before joining the pipes, grease the spigot and seal thoroughly with a suitable lubricant (also available from M.O.L.). Centre and insert the spigot into the socket and pull the pipes together.

DN	h <sub>j</sub>	w	du	Tolerance du	d <sub>so</sub>	l <sub>so</sub>	l <sub>m1</sub>	l <sub>m2</sub>	d <sub>sp</sub>	Tolerance d <sub>sp</sub>	l <sub>sp</sub>	l <sub>s</sub>
300	INTEGRA VL 14	9,17	416,34	± 0,3	444,34	100	39	61	426	± 2,2	105	49
400	INTEGRA VL 14	9,17	516,34	± 0,3	544,34	100	39	61	526	± 2,2	105	49
500	INTEGRA VL 14	9,17	616,34	± 0,3	644,34	100	39	61	626	± 2,2	105	49
600	INTEGRA VL 14	9,17	716,34	± 0,3	744,34	100	39	61	726	± 2,2	105	49
700	INTEGRA VL 18	11,85	831,7	± 0,5	867,7	120	45,6	74,4	844	± 2,6	125	61
800	INTEGRA VL 18	11,85	949,7	± 0,5	985,7	120	45,6	74,4	962	± 2,6	125	61
900	INTEGRA VL 18	11,85	1067,7	± 0,5	1103,7	120	45,6	74,4	1080	± 2,6	125	61
1000	INTEGRA VL 18	11,85	1185,7	± 0,5	1221,7	120	45,6	74,4	1198	± 2,6	125	61
1100	INTEGRA VL 22	14,41	1300,82	± 0,7	1344,82	130	53	77	1316	± 3,0	135	63
1200	INTEGRA VL 22	14,41	1418,82	± 0,7	1462,82	130	53	77	1434	± 3,0	135	63
1300	INTEGRA VL 22	14,41	1536,82	± 0,7	1580,82	130	53	77	1552	± 3,0	135	63
1400	INTEGRA VL 22	14,41	1654,82	± 0,7	1698,82	130	53	77	1670	± 3,0	135	63
1500	INTEGRA VL 22	14,41	1772,81	± 0,7	1816,82	130	53	77	1788	± 3,0	135	63

Other profiles upon request (all dimensions in mm).

With regard to the material properties given in the tables and diagrams we only guarantee the figures required by the relevant standards. Our product information is supplied to the best of our knowledge. However, we do not accept any legal liability for the contents. Our General Terms and Conditions of Sale are available online at [www.mol-elastomer.de](http://www.mol-elastomer.de).

