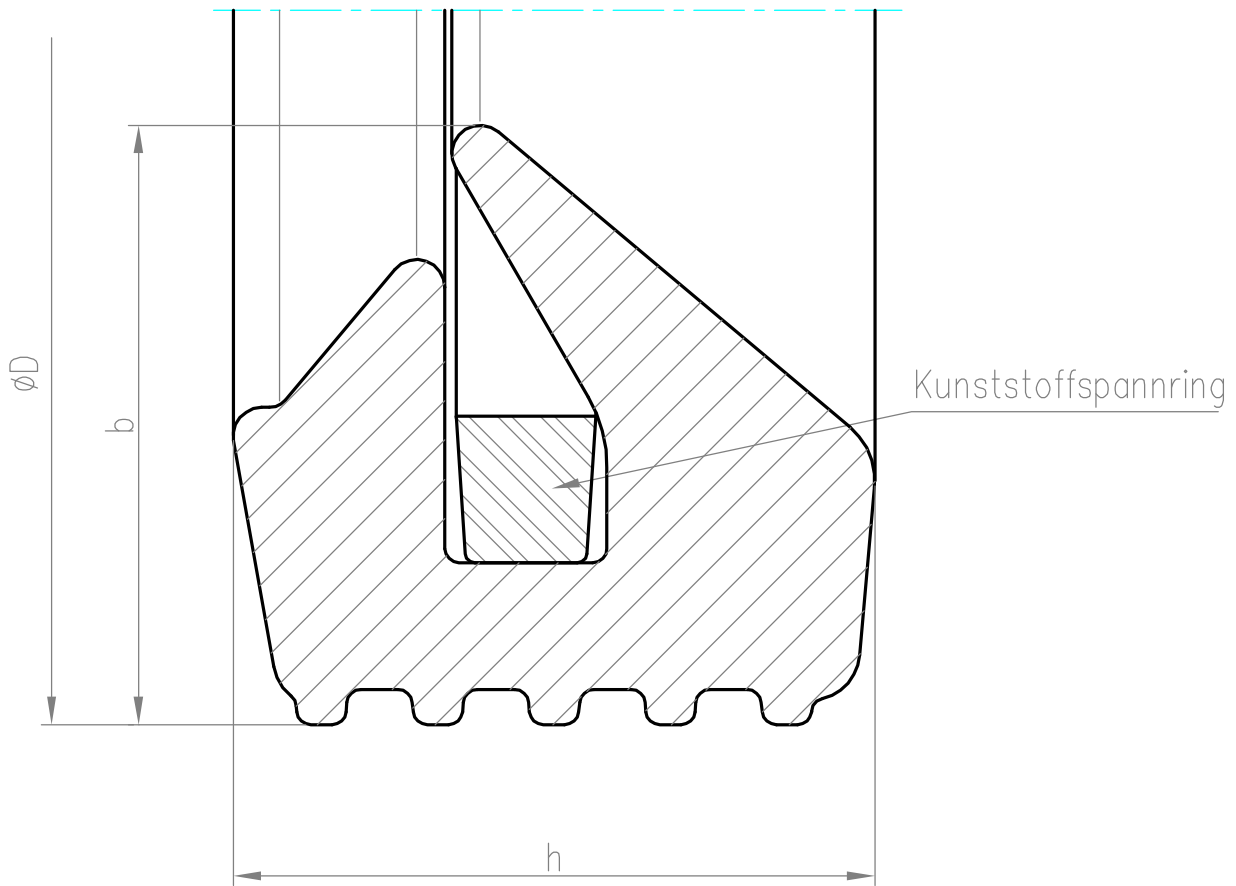


Abmessungen und Gewichte/dimensions and weights (mm.g.kg)

Best Nr. Order no.	DN	DIAM	ϕD	b	h	g/St. g/pc.	kg/Gibo kg/box	kg/Kart. kg/kart.	St./Rol. pc/rol.	St./Pal. pc./pal.
150	100	110mm	123.2 \pm 0.7	8.5 \pm 0.2	9.1 \pm 0.2	19.6	166.3	121.3	41	5.166
152	125	125mm	140.2 \pm 0.8	9.5 \pm 0.2	10.3 \pm 0.3	27.1	163.9	118.9	38	3.648
154	150	160mm	177.2 \pm 0.8	10.4 \pm 0.3	11.5 \pm 0.3	41.9	155.5	110.5	36	2.160
156	200	200mm	218.0 \pm 1.0	12.5 \pm 0.3	13.1 \pm 0.3	73.6	151.7	106.7	31	1.116
158	250	250mm	277.0 \pm 2.0	18.0 \pm 0.6	21.0 \pm 0.6	193.9	182.3	137.3	--	605
160	300	315mm	343.0 \pm 2.0	19.6 \pm 0.6	22.5 \pm 0.6	281.1	177.4	132.4	--	400
162	400	400mm	434.1 \pm 3.0	22.5 \pm 0.8	26.0 \pm 0.8	475.2	160.0	115.0	--	200
164	500	500mm	541.3 \pm 3.5	27.4 \pm 1.0	34.6 \pm 1.0	963.3	171.0	126.0	--	110
166	600	630mm	679.6 \pm 4.0	32.8 \pm 1.2	41.0 \pm 1.2	1689.0	166.3	121.3	--	60



Schutzvermerk ISO 16016 beachten.

2016 Reinking

Wir behalten uns technische Änderungen vor
We reserve technical modifications



M.O.L. Gummiverarbeitung
GmbH & Co. KG
Gutenbergstr. 12-14
49377 Vechta

Lippendichtring System EL
Lipseal ring system EL
DN 100-600 SBR 40 \pm 5 IRHD