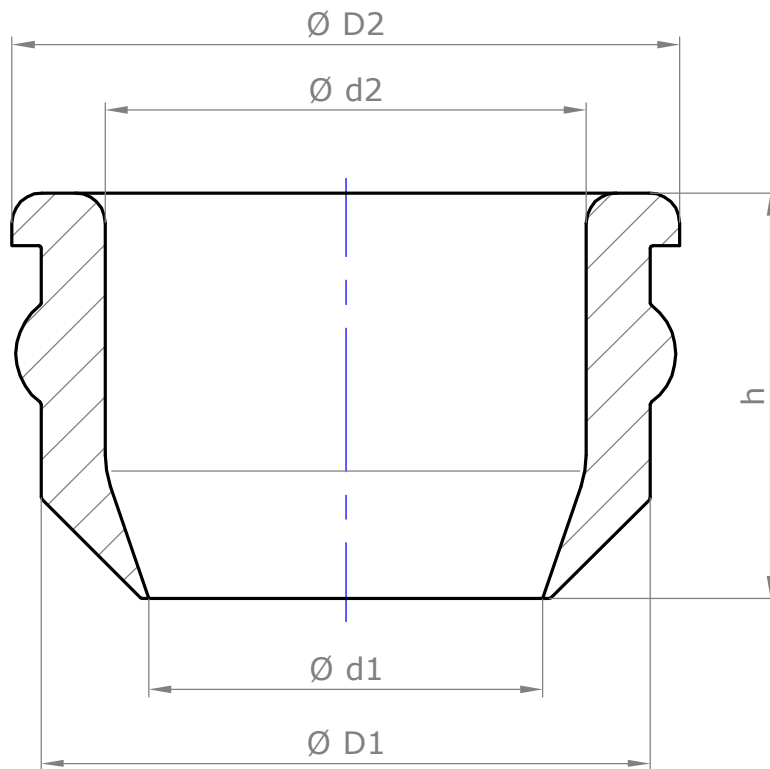


Abmessungen/dimensions (mm)

| Best. Nr.<br>Order no. | DN      | ØD1        | Ød1  | ØD2  | Ød2        | h          | g/Stück<br>g/piece |
|------------------------|---------|------------|------|------|------------|------------|--------------------|
| 223                    | 40 1 ¼" | 40.5 ± 0.3 | 26.2 | 44.4 | 32.0 ± 0.3 | 27.0 ± 0.4 | 18.0               |
| 224                    | 50 1 ¼" | 50.5 ± 0.4 | 28.0 | 54.4 | 32.0 ± 0.3 | 27.0 ± 0.4 | 39.0               |
| 225                    | 50 1 ½" | 50.5 ± 0.4 | 36.0 | 54.4 | 40.0 ± 0.3 | 27.0 ± 0.4 | 27.0               |



2016 Reinking

Wir behalten uns technische Änderungen vor  
We reserve technical modifications



M.O.L. Gummiverarbeitung  
GmbH & Co. KG  
Gutenbergstr. 12-14  
49377 Vechta

**Sickenwulstsnippel**  
Rubber gasket for socket  
DN 40-50 SBR 40 ±5 IRHD