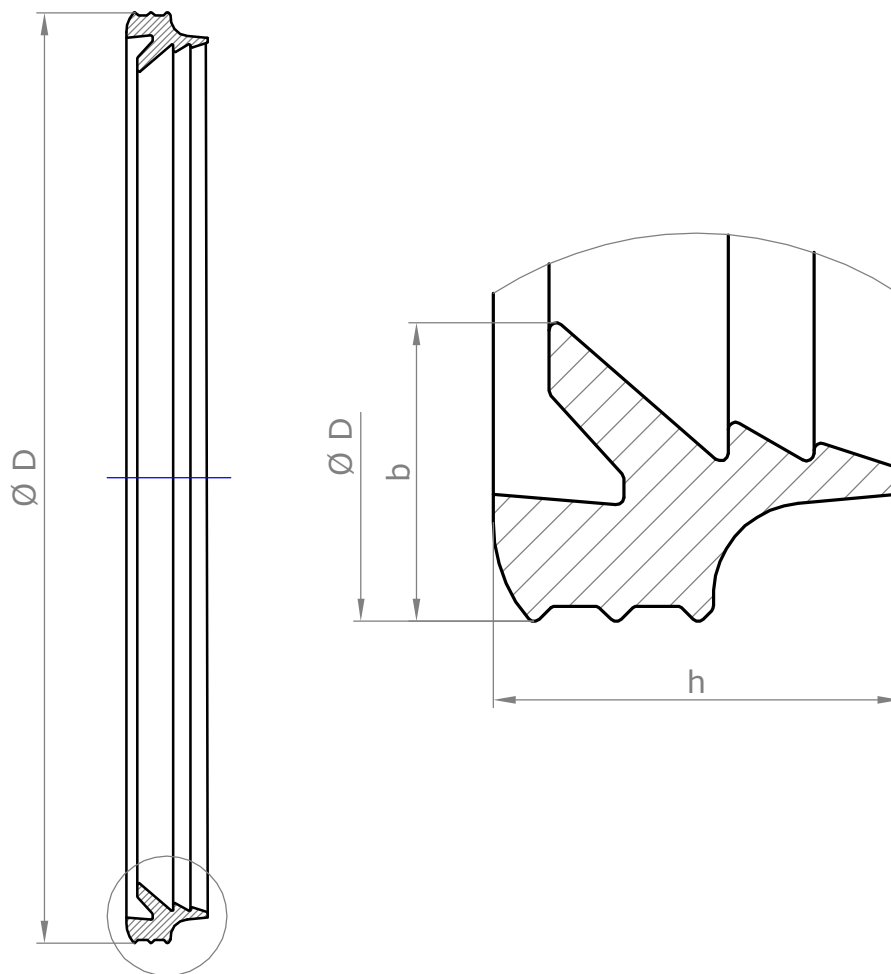


Abmessungen/dimensions (mm)

Best. Nr. Order no.	DN	DIAM	ØD	b	h
540	100	110mm	124.70 ± 1.0	8.00 ± 0.3	10.9 ± 0.3
542	150	160mm	180.15 ± 1.4	10.70 ± 0.4	13.9 ± 0.5
543	200	200mm	223.40 ± 1.6	12.15 ± 0.4	15.6 ± 0.6
544	250	250mm	281.90 ± 2.0	17.05 ± 0.5	26.3 ± 0.8
545	300	315mm	350.10 ± 2.4	17.95 ± 0.5	28.0 ± 1.0
546	400	400mm	441.10 ± 3.0	20.40 ± 0.8	32.1 ± 1.0
547	500	500mm	550.60 ± 3.4	24.90 ± 0.8	39.3 ± 1.0
548	600	630mm	691.40 ± 4.0	29.70 ± 1.0	45.7 ± 1.2



2016 Reinking

Wir behalten uns technische Änderungen vor  
We reserve technical modifications



M.O.L. Gummiverarbeitung  
GmbH & Co. KG  
Gutenbergstr. 12-14  
49377 Vechta

Lippendichtring System Euro L  
Lipseal ring system Euro L  
DN 100-600 SBR 50±0.5 IRHD