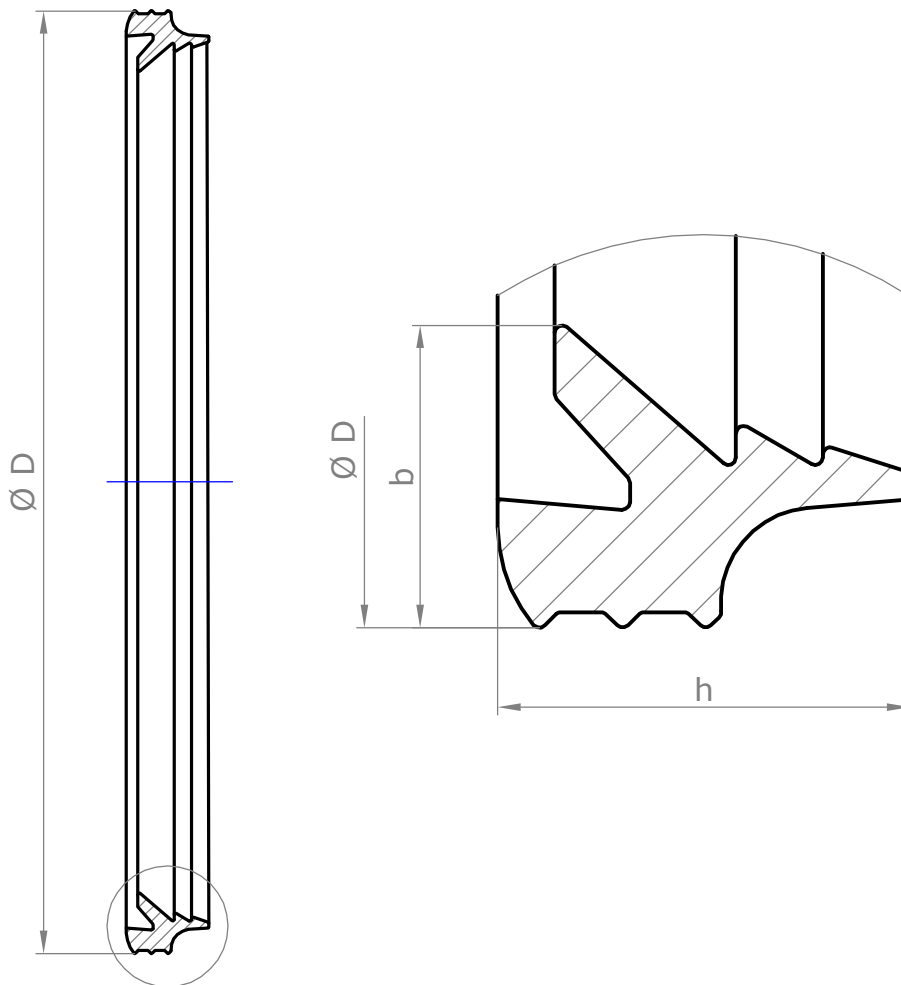


Abmessungen/dimensions (mm)

| Best. Nr.<br>Order no. | DN  | DIAM   | ØD           | b           | h          | g/St.<br>g/pc. | St./KRV<br>pc./KRV     | St./lose KRV<br>pc./lose KRV |
|------------------------|-----|--------|--------------|-------------|------------|----------------|------------------------|------------------------------|
| 60540                  | 100 | 110 mm | 124.70 ± 1.0 | 8.00 ± 0.3  | 10.9 ± 0.3 | 18.8           | 5544                   | 5544                         |
| 60542                  | 150 | 160 mm | 180.15 ± 1.4 | 10.70 ± 0.4 | 13.9 ± 0.5 | 47.2           | 2100                   | 1764                         |
| 60543                  | 200 | 200 mm | 223.40 ± 1.6 | 12.15 ± 0.4 | 15.6 ± 0.6 | 74.3           | 1116                   | 1116                         |
| 60544                  | 250 | 250 mm | 281.90 ± 2.0 | 17.05 ± 0.5 | 26.3 ± 0.8 | 203.8          | 440                    | 690                          |
| 60545                  | 300 | 315 mm | 350.10 ± 2.4 | 17.95 ± 0.5 | 28.0 ± 1.0 | 287.0          | 216                    | 216                          |
| 60546                  | 400 | 400 mm | 441.10 ± 3.0 | 20.40 ± 0.8 | 32.1 ± 1.0 | 474.7          | 150                    | 250                          |
| 60547                  | 500 | 500 mm | 550.60 ± 3.4 | 24.90 ± 0.8 | 39.3 ± 1.0 | 893.2          | 75                     | 75                           |
| 60548                  | 600 | 630 mm | 691.40 ± 4.0 | 29.70 ± 1.0 | 45.7 ± 1.2 | 1558.4         | 104 St./<br>Eurokarton | 90                           |



2020 Reinking

Wir behalten uns technische Änderungen vor  
We reserve technical modifications

**MOL**

M.O.L. Gummiverarbeitung  
GmbH & Co. KG  
Gutenbergstr. 12-14  
49377 Vechta

**Lippendichtring System Euro L**  
Lipseal ring system Euro L  
DIAM 110-630 SBR 50±5 IRHD