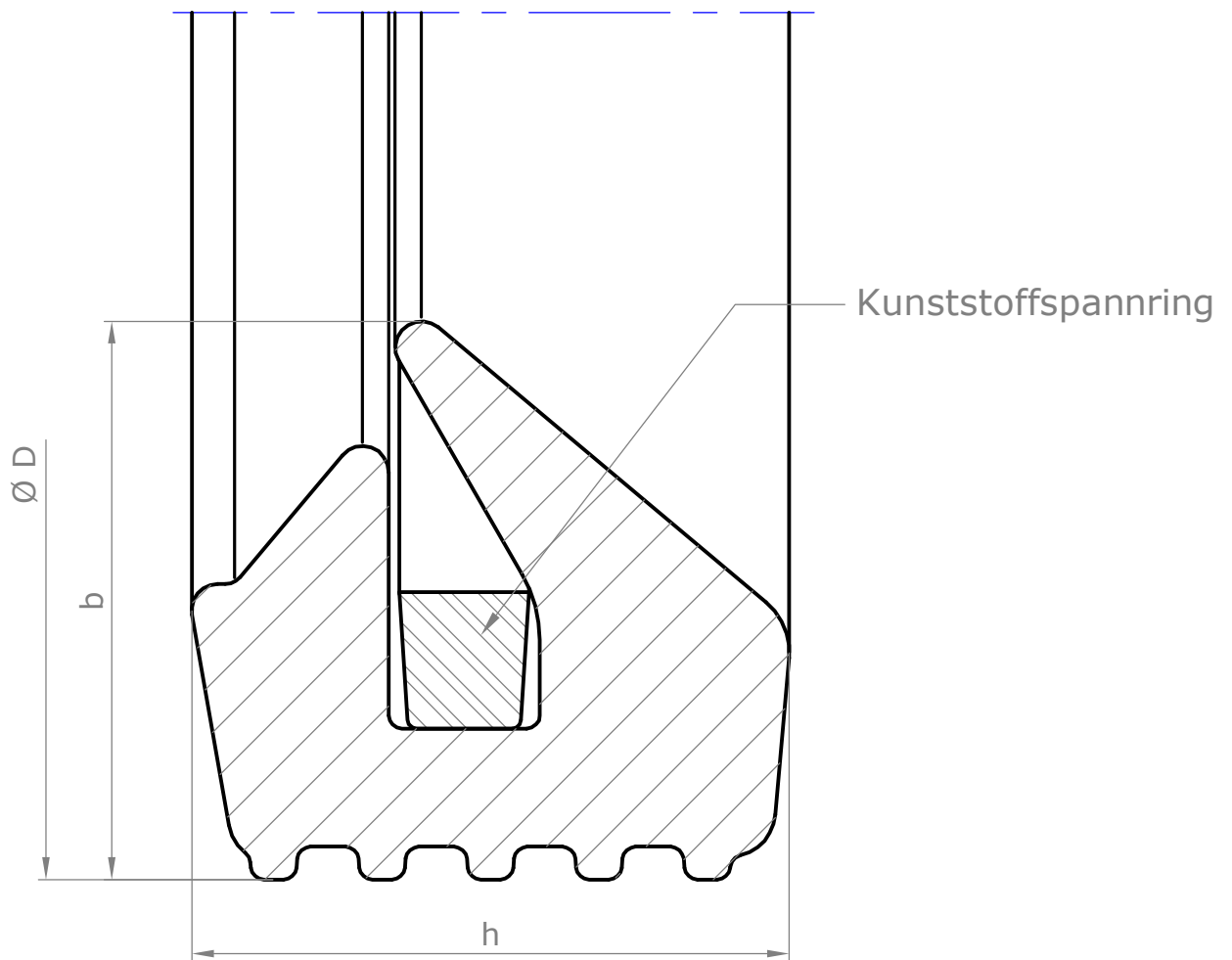


Abmessungen/dimensions (mm)

Best. Nr. Order no.	DN	DIAM	ØD	b	h	g/St. g/pc.	St./Eurokarton pc./Eurokarton	St./lose KRV pc./lose KRV
60150	100	110 mm	123.2 ± 0.7	8.5 ± 0.2	9.1 ± 0.2	19.6	5166	6900
60152	125	125 mm	140.2 ± 0.8	9.5 ± 0.2	10.3 ± 0.3	27.1	3648	5000
60154	150	160 mm	177.2 ± 0.8	10.4 ± 0.3	11.5 ± 0.3	41.9	2160	4000
60156	200	200 mm	218.0 ± 1.0	12.5 ± 0.3	13.1 ± 0.3	73.6	1116	3500
60158	250	250 mm	277.0 ± 2.0	18.0 ± 0.6	21.0 ± 0.6	193.9	605	950
60160	300	315 mm	343.0 ± 2.0	19.6 ± 0.6	22.5 ± 0.6	281.1	400	845
60162	400	400 mm	434.1 ± 3.0	22.5 ± 0.8	26.0 ± 0.8	475.2	200	250
60164	500	500 mm	541.3 ± 3.5	27.4 ± 1.0	34.6 ± 1.0	963.3	110	150
60166	600	630 mm	679.6 ± 4.0	32.8 ± 1.2	41.0 ± 1.2	1689.0	60	80



Schutzvermerk ISO 16016 beachten./Refer to protection notice ISO 16016.

2020 Reinking

Wir behalten uns technische Änderungen vor
We reserve technical modifications



M.O.L. Gummiverarbeitung
GmbH & Co. KG
Gutenbergstr. 12-14
49377 Vechta

Lippendichtring System EL
Lipseal ring system EL
DIAM 110-630 SBR 40±5 IRHD